

2010

POLARIS[®]
The Way Out.



POLARIS
Breeze
take life for a ride

**Owner's Manual
for Maintenance and Safety**

WARNING

Improper vehicle use can result in SEVERE INJURY or DEATH.

- **Do not start vehicle until all occupants are seated.**
- **Remain seated, holding handles, while the vehicle is in motion.**
- **Operate from driver's side only.**
- **Always wear your seatbelt to prevent ejection from vehicle.**
- **The roof is not designed or intended to provide rollover protection. Vehicle rollover could cause severe injury or death. Always operate with caution.**
- **Never operate after or while using Alcohol or Drugs.**
- **Never operate on slopes steeper than 15 degrees $\leq 15^\circ$.**
- **Drive slowly straight up and down slopes.**
- **Keep entire body in the vehicle at all times.**
- **Reduce speed and use extra caution when carrying passengers.**
- **Avoid sharp turns or turns during heavy acceleration.**
- **Operate slowly in reverse and avoid sharp turns or sudden braking.**
- **Make sure passengers read and follow all safety labels.**
- **This vehicle is restricted to a maximum of 4 occupants.**
- **When towing the vehicle, the Master ON-OFF Switch MUST be in the OFF position or severe motor damage will occur.**
- **Place the Master ON-OFF Switch in the OFF position if storing the vehicle for more than 5 days. Failure to do so may lead to complete battery discharge and battery damage.**
- **Batteries require regular maintenance. Failure to maintain batteries in accordance with the owner's manual can result in battery damage, vehicle malfunction, fire, and/or severe injury or death.**



POLARIS
The Way Out.

For your nearest Polaris dealer,
call 1-800-POLARIS
or visit www.polarisindustries.com
Polaris Sales Inc.,
2100 Hwy. 55, Medina, MN 55340
Phone 1-888-704-5290
Part No. 9922699 Rev 01
Printed in USA

WELCOME

Thank you for purchasing a Polaris vehicle, and welcome to our world-wide family of Polaris owners. We proudly produce an exciting line of utility and recreational products.

- Snowmobiles
- All-terrain vehicles (ATVs)
- *RANGER*® utility vehicles
- Neighborhood vehicles (NVs)
- Victory Motorcycles®

We believe Polaris sets a standard of excellence for all utility and recreational vehicles manufactured in the world today. Many years of experience have gone into the engineering, design, and development of your Polaris vehicle, making it the finest machine we've ever produced.

For safe and enjoyable operation of your vehicle, be sure to follow the instructions and recommendations in this owner's manual. Your manual contains instructions for minor maintenance, but information about major repairs is outlined in the Polaris Service Manual and should be performed only by a factory certified Master Service Dealer® (MSD) technician.

Your Polaris dealer knows your vehicle best and is interested in your total satisfaction. Be sure to return to your dealership for all of your service needs during, and after, the warranty period.

We also take great pride in our complete line of apparel, parts and accessories, available through our online store at www.purepolaris.com!



POLARIS®
The Way Out.

POLARIS, THE WAY OUT are registered trademarks of Polaris Industries Inc.

Copyright 2009 Polaris Sales Inc. All information contained within this publication is based on the latest product information at the time of publication. Due to constant improvements in the design and quality of production components, some minor discrepancies may result between the actual vehicle and the information presented in this publication. Depictions and/or procedures in this publication are intended for reference use only. No liability can be accepted for omissions or inaccuracies. Any reprinting or reuse of the depictions and/or procedures contained within, whether whole or in part, is expressly prohibited.

Printed in U.S.A.

2009 BREEZE Neighborhood Vehicle Owner's Manual

P/N 9922699

TABLE OF CONTENTS

Introduction	4
Safety	7
Features and Controls	24
Operation	39
Cleaning	53
Storage	55
Maintenance	57
Specifications	74
Polaris Products	75
Troubleshooting	76
Warranty	76
Maintenance Log	82
Index	84

INTRODUCTION

The following signal words and symbols appear throughout this manual and on your vehicle. Your safety is involved when these words and symbols are used. Become familiar with their meanings before reading the manual.



The safety alert symbol indicates a potential personal injury hazard.

WARNING

A **WARNING** indicates a hazardous situation which, if not avoided, may result in death or serious injury.

CAUTION

A **CAUTION** indicates a hazardous situation which, if not avoided, may result in minor or moderate injury.

NOTICE

A **NOTICE** indicates a situation that may result in property damage.



The Prohibition Safety Sign indicates an action **NOT** to take in order to avoid a hazard.



The Mandatory Action Sign indicates an action that **NEEDS** to be taken to avoid a hazard.

INTRODUCTION

WARNING

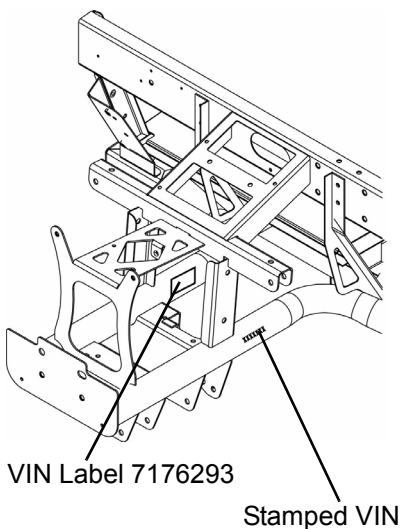
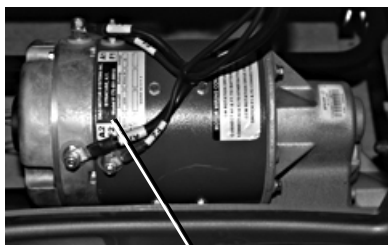
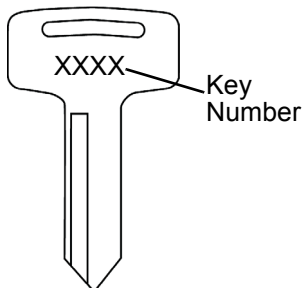
Failure to heed the warnings and safety precautions contained in this manual can result in severe injury or death. Your Polaris vehicle is not a toy and can be hazardous to operate. This vehicle handles differently than cars, trucks or other off-road vehicles. A collision or rollover can occur quickly, even during routine maneuvers like turning, or driving on hills or over obstacles, if you fail to take proper precautions.

- Read this owner's manual. Understand all safety warnings, precautions and operating procedures before operating the vehicle. Keep this manual with the vehicle.
- This vehicle is an **ADULT VEHICLE ONLY**. NEVER operate this vehicle if you are under age 16 and NEVER operate this vehicle without a valid driver's license. Never operate with a passenger under the age of 5.

INTRODUCTION

Vehicle Identification Numbers

Record your vehicle's identification numbers and key number in the spaces provided. Remove the spare key and store it in a safe place. An ignition key can be duplicated only by ordering a Polaris key blank (using your key number) and mating it with one of your existing keys. The ignition switch must be replaced if all keys are lost.



Motor Serial Number

Vehicle Model Number: _____

Frame VIN: _____

Vehicle Serial Number: _____

Key Number: _____

Equipment Modifications

Your Polaris vehicle is designed to provide safe operation when used as directed. Do not modify this vehicle in a way that will alter the weight distribution of the vehicle. This type of modification may negatively impact vehicle stability.

Failure of critical machine components may result from operation with any modifications, especially those that increase speed or power. This vehicle may become less stable at speeds higher than those for which it is designed. Loss of control may occur at higher speeds.

Do not install on a Polaris vehicle any equipment that may increase the speed or power of the vehicle, or make any other modifications to the vehicle for these purposes. Any modifications to the original equipment of the vehicle create a substantial safety hazard and increase the risk of bodily injury.

The warranty on your Polaris vehicle is terminated if any equipment has been added to the vehicle, or if any modifications have been made to the vehicle, that increase its speed or power or alter the weight distribution of the vehicle.

Use only Polaris-approved accessories, and familiarize yourself with their function and effect on the vehicle before operating.

SAFETY

Operator Safety

⚠ WARNING

Failure to operate this vehicle properly can result in a collision, loss of control, accident or overturn, which may result in serious injury or death. Heed all safety warnings outlined in this section of the owner's manual. See the OPERATION section of the owner's manual for proper operating procedures.

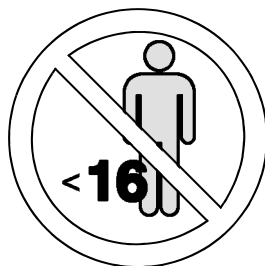
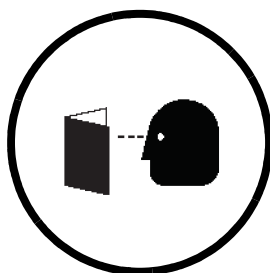
Operating Without Instruction

Operating this vehicle without proper instruction increases the risk of an accident. The operator must understand how to operate the vehicle properly in different situations and on different types of terrain. Complete the New Operator Driving Procedures outlined on pages 40-41.

All operators must read and understand the owner's manual and all warning and instruction labels before operating the vehicle. Never allow a guest to operate this vehicle until the guest has completed the New Operator Driving Procedures outlined on pages 40-41.

Age Restrictions

This vehicle is an **ADULT VEHICLE ONLY**. NEVER operate this vehicle if you are under age 16 and NEVER operate this vehicle without a valid driver's license. Never operate with a passenger under the age of 5.



Operator Safety

Ventilation When Charging Batteries

Failure to provide adequate ventilation while charging batteries can result in an explosion. Volatile hydrogen gas is emitted during charging and may accumulate in pockets at the ceiling. Always ensure a minimum of 5 air changes per hour in the charging area.

Failure to Inspect Before Operating

Failure to inspect and verify that the vehicle is in safe operating condition before operating increases the risk of an accident.

Always inspect the vehicle before each use to make sure it's in safe operating condition.

Always follow the inspection and maintenance procedures and schedules described in the owner's manual.



Using Alcohol or Drugs

Riding in this vehicle after consuming alcohol or drugs could adversely affect operator judgment, reaction time, balance and perception.

Never consume alcohol or drugs before or while operating or riding in this vehicle.



SAFETY

Operator Safety

Seat Belts

Riding in this vehicle without wearing a seat belt increases the risk of serious injury in the event of an accident or sudden stop. Riders *must* wear seat belts at all times. Seat belts reduce the severity of injury in the event of a sudden stop or accident. Always make sure the seat belts are secured for both the operator and passenger before riding.

Poor Visibility

Operating the vehicle in darkness or inclement weather could result in a collision or accident, especially if operating on a road or street. This vehicle is not equipped with highway-approved lights. Use caution and drive at reduced speeds in conditions of reduced visibility such as fog, rain and darkness. Clean headlights frequently and replace burned out headlamps promptly.

Accessories

Non-approved accessories may seriously affect vehicle stability. Using accessories not approved by Polaris for use on this vehicle could cause loss of control or an accident. Never operate with accessories not approved by Polaris for use on this vehicle.

Operator Safety

Carrying a Passenger

Never carry a passenger until you have operated this vehicle for at least two hours and have completed the New Operator Driving Procedures outlined on pages 40-41. Passengers must always be seated in a passenger seat with seat belt secured. Never drive the vehicle until all occupants are properly seated.

Carrying Multiple Passengers

Carrying more than one passenger can affect the operator's ability to steer and operate the controls, which increases the risk of loss of control, accident or overturn.

Never allow more than two passengers to occupy the rear seat.

Operating on Public Roads

Operating this vehicle on public streets, roads or highways could result in a collision with another vehicle.

Never operate this vehicle on any public street, road or highway, including dirt and gravel roads, unless permitted by local regulations. In many areas it's unlawful to operate vehicles of this type on public streets, roads and highways.

Operating at Excessive Speeds

Operating this vehicle at excessive speeds increases the operator's risk of losing control.

Never exceed the maximum recommended speed for this vehicle. Always operate at a speed that's appropriate for the terrain, the visibility and operating conditions, your skills and your passenger's skills.

SAFETY

Operator Safety

Turning Improperly

Turning improperly could cause loss of traction, loss of control, accident or overturn. Always follow proper procedures for turning as described in the owner's manual.

Avoid sharp turns. Never turn at a fast speed. Never make abrupt steering maneuvers. Practice turning at slow speeds before attempting to turn at faster speeds.

Physical Control of the Vehicle

Removing hands from the steering wheel or hand holds or removing feet from the floor while riding increases the risk of loss of control and accident or overturn. The operator should always keep both hands on the steering wheel during operation. Passenger should always be seated in the passenger seat with both feet on the floor and with both hands securely grasping the hand holds.

Always keep head, hands and feet inside the vehicle at all times.

Jumps and Stunts

Exhibition driving increases the risk of an accident or overturn. DO NOT do power slides, "donuts", jumps or other driving stunts. Avoid exhibition driving.

Descending Hills Improperly

Improperly descending a hill could cause loss of control or overturn. Always follow proper procedures for traveling down hills as described in the owner's manual.

- Use the brake pedal to control speed when descending a hill. Never travel down a hill at high speed.
- Always descend a hill with the direction selector on FORWARD. Never descend a hill in neutral.
- Always check the terrain carefully before descending a hill.
- Avoid traveling down a hill at an angle, which would cause the vehicle to lean sharply to one side. Travel straight downhill.

Operator Safety

Improper Hill Climbing

Improper hill climbing could cause loss of control or overturn. Use extreme caution when operating on hills. Always follow proper procedures for hill climbing as described in the owner's manual. See page 45.

Crossing Slopes

Crossing a slope is not recommended. Improper procedure could cause loss of control or overturn. Avoid crossing a slope unless absolutely necessary.

If crossing a slope is unavoidable, always follow proper procedures as described in the owner's manual. See page 48.

Stalling While Climbing a Hill

Stalling or rolling backwards while climbing a hill could cause an overturn. Maintain a steady speed when climbing a hill.

If you lose all forward speed:

Apply the brakes gradually until the vehicle is fully stopped. Place the Forward/Reverse Switch in reverse and slowly allow the vehicle to roll straight downhill while applying light brake pressure to control speed.

Operating in Unfamiliar Terrain

Failure to use extra caution when operating on unfamiliar terrain could result in an accident or overturn.

Unfamiliar terrain may contain hidden rocks, bumps, or holes that could cause loss of control or overturn.

Travel slowly and use extra caution when operating on unfamiliar terrain. Always be alert to changing terrain conditions.

SAFETY

Operator Safety

Operating on Slippery Terrain

Operating on excessively rough, slippery or loose terrain could cause loss of traction, loss of control, accident or overturn.

Do not operate on excessively rough, slippery or loose terrain. Always use extra caution on rough, slippery or loose terrain.

Operating Improperly in Reverse

Improperly operating in reverse could result in a collision with an obstacle or person. Always follow proper operating procedures as outlined in this manual. See page 47.

Before backing, always check for obstacles or people behind the vehicle. When it's safe to proceed, back slowly.

Improper Tire Maintenance

Operating this vehicle with improper tires or with improper or uneven tire pressure could cause loss of control, accident or overturn.

Always use the size and type of tires specified for your vehicle. Always maintain proper tire pressure as described in the owner's manual and on safety labels.

Operator Safety

Operating Over Obstacles

Improperly operating over obstacles could cause loss of control or overturn. Never operate over obstacles.

Skidding or Sliding

Skidding or sliding can cause loss of control or overturn. Always follow proper procedures for operating on slippery surfaces as described in the owner's manual.

When operating on slippery surfaces such as ice or loose gravel, reduce speed and use extra caution to reduce the chance of skidding or sliding.

Do not operate on excessively slippery surfaces.

Operating a Damaged Vehicle

Operating a damaged vehicle can result in an accident with serious injury or death. After any overturn or accident, have a qualified service dealer inspect the entire vehicle for possible damage, including (but not limited to) brakes and steering systems.

Unauthorized Use of the Vehicle

Leaving the keys in the ignition can lead to unauthorized use of the vehicle, which could result in an accident or overturn. Always remove the ignition key when the vehicle is not in use.

SAFETY

Operator Safety

Precautions During Maintenance

Always follow all safety instructions in the maintenance portion of this owner's manual, as well as the following:

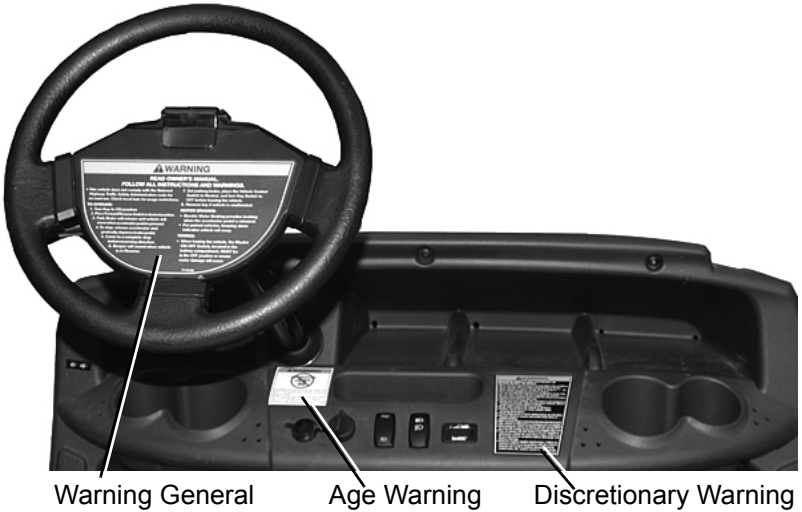
- Make sure the vehicle is properly immobilized before beginning any maintenance.
- Always block the chassis securely before working under the vehicle.
- Always disable the vehicle's electrical system before performing maintenance on the vehicle. Remove the key. Turn the Master On-Off switch located in the battery component to the OFF position.
- Insulate any tools used within the battery area to prevent sparks or battery explosion caused by shorting the battery terminals or wiring. Remove the batteries, or cover the exposed terminals with an insulating material.

**FOR MORE INFORMATION ABOUT SAFETY
call Polaris at 1-800-342-3764.**

Safety Labels and Locations

Warning labels have been placed on the vehicle for your protection. Read and follow the instructions of the labels on the vehicle carefully. If any of the labels depicted in this manual differ from the labels on your vehicle, always read and follow the instructions of the *labels on the vehicle*.

If an informational or graphic label becomes illegible or comes off, contact your Polaris dealer to purchase a replacement. Replacement *safety* labels are provided by Polaris at no charge. The part number is printed on the label.



SAFETY

Safety Labels and Locations

General Warning

WARNING

READ OWNER'S MANUAL.

FOLLOW ALL INSTRUCTIONS AND WARNINGS.

• This vehicle does not comply with Federal Regulations for on highway use. Check local laws for usage restrictions.

TO OPERATE:

1. Turn Key to ON position
2. Place Forward/Reverse Switch in desired position.
3. Park Brake will release and vehicle will move when accelerator pedal is pressed.
4. To stop, release accelerator and gradually depress brake pedal.
5. Come to a complete stop before reversing direction.
6. Beeper will sound when vehicle is in Reverse.
7. Set parking brake, place the Vehicle Control Switch to Neutral, and turn Key Switch to OFF before leaving the vehicle.
8. Remove key if vehicle is unattended.

MOTOR BRAKING:

- Electric Motor Braking provides braking when the accelerator pedal is released.
- For parked vehicles, beeping alarm indicates vehicle roll away.

TOWING:

- When towing the vehicle, the Master ON-OFF Switch, located in the battery compartment, **MUST** be in the OFF position or severe motor damage will occur.

7176198

Safety Labels and Locations

Age Warning

WARNING

Operating this vehicle if you are under the age of 16 increases your chance of severe injury or death.

NEVER operate this vehicle if you are under age 16 and NEVER operate this vehicle without a valid driver's license.

7175566



Age Warning

SAFETY

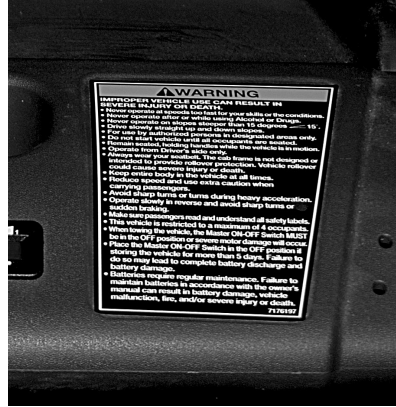
Safety Labels and Locations

Discretionary Warning

WARNING

IMPROPER VEHICLE OPERATION CAN RESULT IN SEVERE INJURY OR DEATH.

- Do not start vehicle until all occupants are seated.
- Remain seated, holding handles while the vehicle is in motion.
- Operate from Driver's side only.
- Always wear your seatbelt to prevent ejection from vehicle.
- The roof is not designed or intended to provide rollover protection. Vehicle rollover could cause severe injury or death. Always operate with caution.
- Never operate after or while using Alcohol or Drugs.
- Never operate on slopes steeper than 15 degrees (15°).
- Drive slowly straight up and down slopes.
- Keep entire body in the vehicle at all times.
- Reduce speed and use extra caution when carrying passengers.
- Avoid sharp turns or turns during heavy acceleration.
- Operate slowly in reverse and avoid sharp turns or sudden braking.
- Make sure passengers read and follow all safety labels.
- This vehicle is restricted to a maximum of 4 occupants.
- When towing the vehicle, the Master ON-OFF Switch **MUST** be in the OFF position or severe motor damage will occur.
- Place the Master ON-OFF Switch in the OFF position if storing the vehicle for more than 5 days. Failure to do so may lead to complete battery discharge and battery damage.
- Batteries require regular maintenance. Failure to maintain batteries in accordance with the owner's manual can result in battery damage, vehicle malfunction, fire, and/or severe injury or death.



Discretionary Warning

7176197

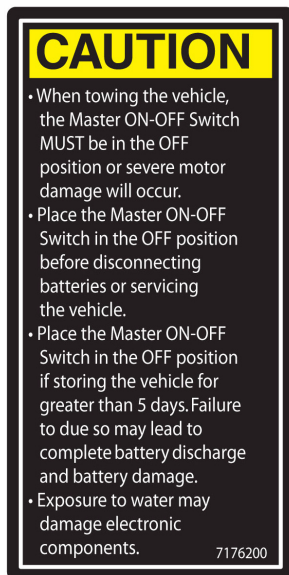
Safety Labels and Locations

CAUTION, MASTER SWITCH

CAUTION

- When towing the vehicle, the Master ON-OFF Switch **MUST** be in the OFF position or severe motor damage will occur.
- Place the Master ON-OFF Switch in the OFF position before disconnecting batteries or servicing the vehicle.
- Place the Master ON-OFF Switch in the OFF position if storing the vehicle for greater than 5 days. Failure to do so may lead to complete battery discharge and battery damage.
- Exposure to water may damage electronic components.

7176200



Caution, Master Switch

SAFETY

Safety Labels and Locations

Passenger Safety Warning

WARNING

- DO NOT get on or off vehicle while it is in motion.
- Remain seated, holding handles while the vehicle is in motion.
- Always wear your seatbelt to prevent ejection from vehicle.
- The roof is not designed or intended to provide rollover protection. Vehicle rollover could cause severe injury or death. Always operate with caution.
- Keep entire body in the vehicle at all times.
- Operator should reduce speed and use extra caution when carrying passengers.
- Read and follow all safety labels.

7176199



Safety Labels and Locations

Warning Battery

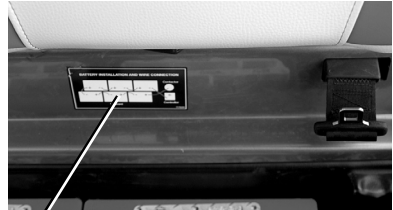
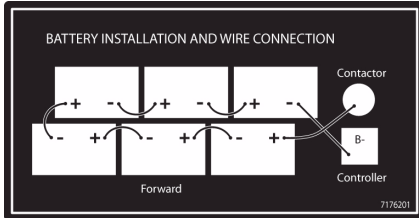
WARNING

- Battery Explosion could result in severe injury or death.
- Wear eye protection when working near batteries.
- Do not store items in the battery compartment.
- Explosive gases are released when charging batteries. Keep well ventilated.
- No smoking. Keep sparks and flames away.
- Electrical shorts can result in burns. Do not make connection between positive and negative battery terminals.
- Sulfuric acid in batteries will burn eyes, skin and clothing. Do not tip batteries. Keep vent caps tight and level. In event of injury, flush with water and seek medical attention immediately.
- Always ensure batteries are properly fastened.

CONTACT YOUR AUTHORIZED POLARIS DEALER FOR ANY BATTERY RELATED QUESTIONS.

7176202

Battery Connection



Battery Connection Decal

7176201

FEATURES AND CONTROLS

Component Locations

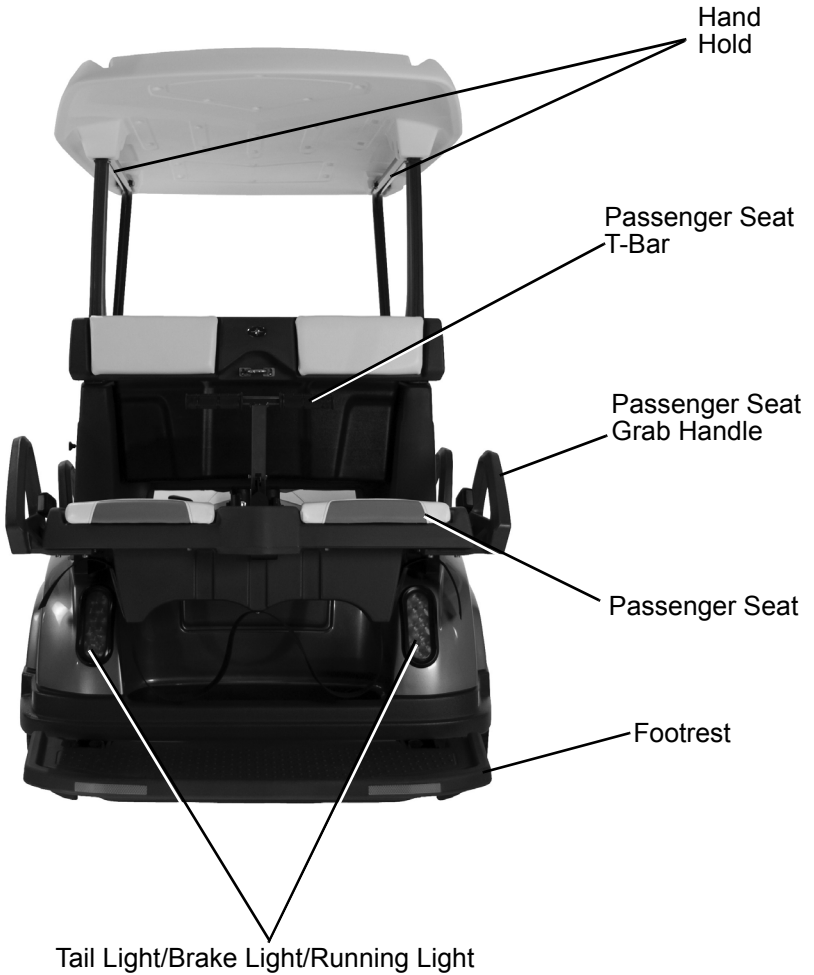
FRONT VIEW



FEATURES AND CONTROLS

Component Locations

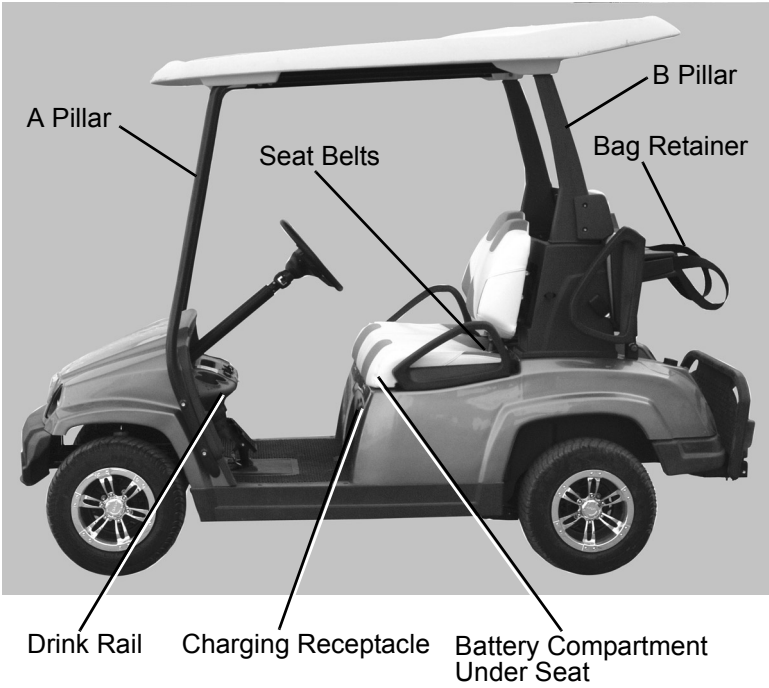
REAR VIEW



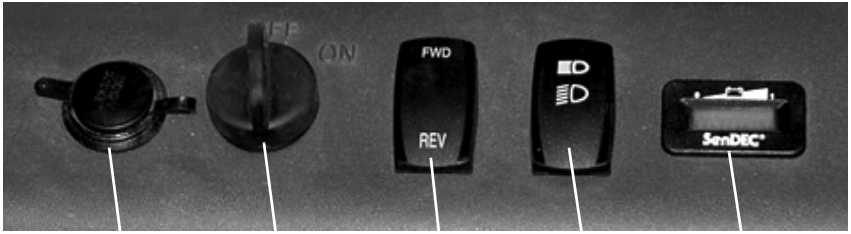
FEATURES AND CONTROLS

Component Locations

SIDE VIEW



FEATURES AND CONTROLS



12V
Accessory
Power Outlet

Key
Switch

Forward/
Reverse
Switch

Headlight
Switch

Battery
Discharge
Indicator

12V Accessory Power Outlet

A 12V power outlet is provided for charging cell phones and GPS devices. Connected devices should not exceed 2A or 24W rating.

Key Switch

Use the key switch to turn the electrical power on or off.

OFF: All electrical power is off, depends on ON/OFF switch

ON: Electrical power is on.

See page 40 for New Operator Driving Procedures.

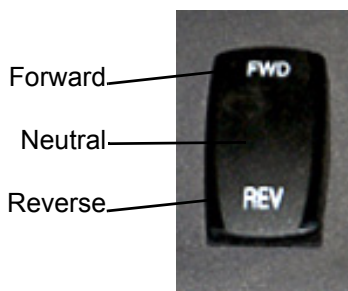
FEATURES AND CONTROLS

Forward/Reverse Switch

When the Forward/Reverse switch is in the center position, the vehicle is in neutral and will not operate. Select forward or reverse to operate the vehicle.

Push the top of the switch to select forward operation. Push the bottom of the switch to select reverse operation.

Tip: A warning alert will sound when reverse is selected, regardless of key position.



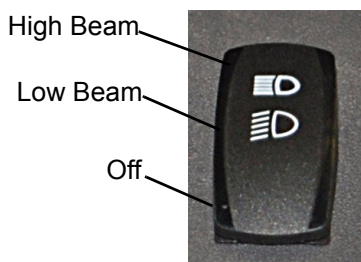
Headlight Switch

Use the headlight switch to turn headlights OFF, LOW BEAM, or HIGH BEAM.

Top Position: HIGH BEAM

Center Position: LOW BEAM

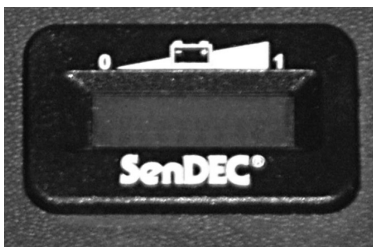
Bottom Position: OFF



FEATURES AND CONTROLS

Battery Discharge Indicator (BDI)

The battery discharge indicator shows the amount of energy removed from the batteries. 70% discharge is indicated by the second to the left LED bar flashing. Full charge is indicated when the rightmost led BAR IS LIT. Avoid discharging the batteries more that 80%.



Battery Discharge Indicator

NOTICE: When the last bar is blinking, the gauge reflects 80% discharge.

FEATURES AND CONTROLS

Master On/Off Switch

The master switch is located under the seat on the passenger side of the battery box. The switch must be in the ON position (forward) for the vehicle to operate. The switch must be moved to the OFF position for:

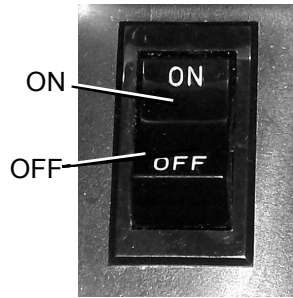
- Towing the vehicle (or severe motor damage will occur)
- Performing battery maintenance or replacement (to disconnect all power from the batteries to the vehicle)
- Storing the vehicle (to prevent battery discharge) for more than 5 days.

NOTICE: Failure to turn off the Master On/Off switch when storing the vehicle for a prolonged period can cause battery damage.

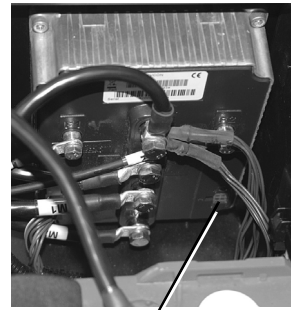
NOTICE: Failure to turn off the Master On/Off switch before performing maintenance on the electrical system can cause damage to the vehicle's electrical components.

Multifunction Light

The green LED light, located on the motor controller will illuminate, flashing initially then remain on while the key is turned to the On position AND the Master On/Off switch, located under the seat, is in the On position. The multifunction light is also your source for trouble-shooting information in the event that any electrical issues arise with the vehicle. In normal operation the LED will remain steady green. If a problem is detected the light will flash, in different sequences to indicate the type of issue to investigate. Please refer to the Multifunction Light Trouble-shooting Guide on page 31.



Master On/Off Switch



Multifunction Light

FEATURES AND CONTROLS

Multifunction Light

Multifunction Light Troubleshooting Guide	
Flash Sequence	Solution
OFF	If the light does not illuminate, verify that the master on/off switch is in the ON position. Check battery cable connections.
1 Flash	The system controller has an internal error. See your Polaris dealer for service.
2 Flashes	Move the master on/off switch to OFF. Inspect electrical connections to the direction selector switch. Return the master on/off switch to ON. If the light continues to flash, see your Polaris dealer for service.
3 Flashes	Move the master on/off switch to OFF. Inspect electrical connections to the motor. Return the master on/off switch to ON. If the light continues to flash, see your Polaris dealer for service.
4 Flashes	The line contactor requires service. See your Polaris dealer for service.
6 Flashes	Move the master on/off switch to OFF. Inspect electrical connections to the accelerator pedal. Return the master on/off switch to ON. If the light continues to flash, see your Polaris dealer for service.
7 Flashes	Battery voltage is low. Move the master on/off switch to OFF. Check battery cable connections. Return the master on/off switch to ON. If the light continues to flash, move the master on/off switch to OFF and use a battery tester to check each battery.

FEATURES AND CONTROLS

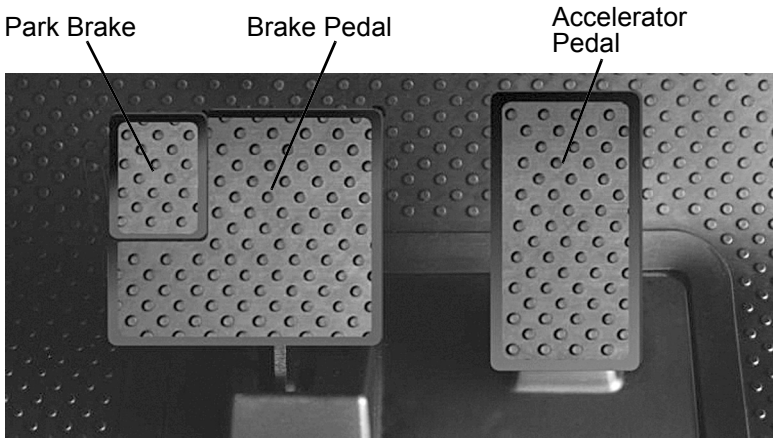
Batteries

This vehicle is equipped with six 8-volt batteries that supply the power needed to operate the vehicle. Refer to the battery maintenance section beginning on page 71 for battery safety warnings and safe handling and maintenance procedures.

- Always make sure that all electrical accessories are grounded directly to the battery (-) post. Never use the chassis or body as a ground connection.
- Always observe all battery safety warnings and safe handling procedures.
- Always keep battery terminals and connections clean and free of corrosion at all times.
- Always maintain a full charge on the batteries. For best battery life, batteries should not be discharged more than 80% of their rated capacity.
- New batteries should be given a full charge before use.
- New deep cycle batteries need to be cycled several times before reaching full capacity (50-125 cycles, depending on type). Capacity will be limited during this time.
- Vent caps should be correctly installed and tight during vehicle operation and battery charging.
- Recharge batteries at the end of every day the vehicle is operated. Allow time for the charger to complete its charge cycle.
- The batteries in this vehicle do not have a “memory effect”. Frequent charging will extend their life.

FEATURES AND CONTROLS

Brakes



Park Brake

The park brake pedal is located in the upper left corner of the brake pedal. To engage the park brake, depress the brake pedal firmly and tip the park brake portion of the pedal forward with your foot until it latches. To release the park brake, depress the accelerator.

Brake Pedal

Depress the brake pedal with moderate pressure to slow or stop the vehicle. If any of the following occurs when the brakes are applied, see your Polaris dealer for service promptly:

- Vehicle swerves
- Vehicle stops abruptly
- Vehicle fails to stop
- Vehicle makes grinding noise

FEATURES AND CONTROLS

Accelerator Pedal

Depress the accelerator pedal to release the park brake and increase vehicle speed. The key must be ON and the direction selector switch must be in either FORWARD or REVERSE. Release the pedal to decrease speed.

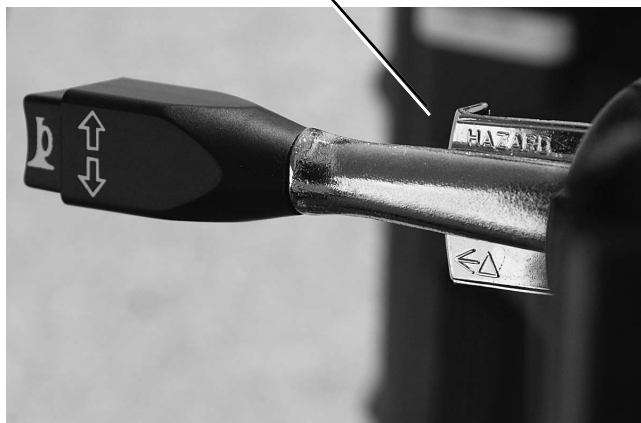
Holding the accelerator pedal down continuously will accelerate the vehicle to the maximum designed speed. Use the brakes to control speed when traveling down a slope.

NOTICE: Operating at excessive speeds may result in damage to drivetrain components. Never exceed the maximum recommended speed for this vehicle.

Turn Signals/Hazard Light

Your vehicle is equipped with turn signals and hazard lights. To apply hazard lights pull the hazard light plate forward. To cancel the hazard lights push the turn signal arm up or down.

Hazard Light Plate

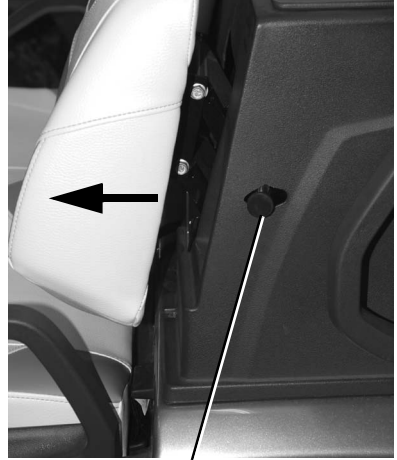


FEATURES AND CONTROLS

Seats

Driver's Seatback Adjustment

There is not an adjustment for the front seat base or rear seats. You can adjust the driver's side seatback. To adjust pull on the knob on the driver's side B-pillar. Rotate the seatback into the desired position and ensure the knob completely returns to its starting position. Test the seatback to ensure that it is secure before operating.



Front Seat Adjustment

FEATURES AND CONTROLS

Seats

Open Seat to Access Batteries

To Flip the Seat Up for Service

1. Make sure the driver's side seatback is in rearmost position
2. Rotate the driver and passenger buckles underneath the seatbacks
3. Grasping the driver or passenger side armrest, rotate the seat forward until it rests against the steering wheel.

To Completely Remove the Seat

Follow Step 1 through 3 from above. Seek the assistance of a friend or service technician. Lift the seat by both hand rails while it is in the vertical position until the front mounting brackets come loose. Be careful not to damage the seat during removal.

Seat Cleaning

A solution of 10% household liquid dish soap with warm water applied with a soft damp cloth will remove most dirt and stains.

FEATURES AND CONTROLS

Seat Belts

Falling from a moving vehicle could result in serious injury or death. Always fasten your seat belt securely before operating or riding in this vehicle.

Always make sure the seat belts are secured for both the operator and passengers before riding.

To wear the seat belt properly, follow this procedure:

1. Place the belt across your lap as low on your hips as possible. Make sure that the belt is not twisted.
2. Push the latch plate into the buckle until it clicks.
3. Release the strap, it will self-tighten.

To release the seat belt, press the square red button in the buckle's center.

Seat Belt Inspection

Inspect all seat belts for proper operation before each use of the vehicle.

1. Push the latch plate into the buckle until it clicks. The latch plate must slide smoothly into the buckle. A click indicates that it's securely latched.
2. Push the red release latch in the middle of the buckle to make sure it releases freely.
3. Check the belt webbing for wear, cuts or damage. If any irregularities are found, have the seat belt system checked and/or replaced by an authorized Polaris dealer.
4. To clean dirt or debris from the seat belts, sponge the straps with mild soap and water. Do not use bleach, dye or household detergents.

FEATURES AND CONTROLS

Passenger Seat/Bag Retainer

To access the passenger seat, lift the passenger seat release handle and push down the seat until it is securely resting on the passenger seat bumpers. Pull the passenger T-bar handle forward until it latches.

To access the bag retainer, lift on the passenger seat release handle and push the passenger T-bar handle down. Lift up the seat until it is securely fastened in place.



Passenger Release Handle

Brake System Break-in

Apply only moderate braking force for the first 50 stops. Aggressive or overly forceful braking when the brake system is new could damage brake shoes and drums.

Pre-Ride Inspection

Failure to inspect and verify that the vehicle is in safe operating condition before operating increases the risk of an accident. Always inspect the vehicle before each use to make sure it's in safe operating condition.

Item	Remarks	Page
Batteries	Ensure batteries are fully charged	43
Brake system	Ensure proper operation	33 63
Steering	Ensure free operation	63
Tires	Inspect condition and pressure	65
Wheels/fasteners	Inspect, ensure fastener tightness	66
Frame nuts, bolts, fasteners	Inspect, ensure tightness	-
Accelerator	Ensure proper operation	34
Indicator lights/switches	Ensure proper operation	27-31
Headlamp	Check operation, apply Polaris dielectric grease when lamp is replaced	69
Seat Latches	Push down on both seat backs to ensure the latches are secure	38
Seat Belts	Check length of belt for damage, check latches for proper operation	37

OPERATION

New Operator Driving Procedures

1. Read and understand the owner's manual and all warning and instruction labels before operating this vehicle.
2. Disconnect the battery charger (if connected). See page 72.
3. Perform the pre-ride inspection. See page 39.
4. Do not carry a passenger until you have at least two hours of driving experience with this vehicle.
5. Sit in the driver's seat and fasten the seat belt.
6. Make sure the direction selector switch is in the proper position for your intended direction of travel.
7. Make sure the front wheels are turned in the intended direction of travel.
8. Apply the brakes.
9. Turn the key to the ON position.
10. Select an open area that allows room to familiarize yourself with vehicle operation and handling. Check for obstacles and people in your driving area.
11. Keeping both hands on the steering wheel, release the brakes and depress the accelerator with your right foot to begin driving.
12. Drive slowly at first. On level surfaces, practice starting, stopping, turning, maneuvering, using the accelerator and brakes and driving in reverse. Learn how the vehicle handles when making both left and right turns at a slow speed.
13. Increase speed only after mastering all maneuvers at a slow speed.
14. After you become skilled at making turns and begin to operate at faster speeds, follow these precautions:
 - Avoid abrupt starts and stops.
 - Avoid sharp turns and abrupt steering maneuvers.
 - Never turn at a fast speed.
 - Operate at speeds appropriate for your skills, the conditions and the terrain.

New Operator Driving Procedures

Stopping

1. Release the accelerator pedal completely.
2. Depress the brake pedal and brake to a complete stop.

Parking

1. Stop the vehicle on a level surface.
2. Engage the park brake.

Tip: A roll-away alert will sound if the vehicle begins to roll away after being parked. Return to the vehicle immediately and make sure the park brake is engaged.

3. If the vehicle will be parked for more than a few minutes, turn the key off. Remove the key and move the direction selector switch to the neutral position.
4. Any time the vehicle will be parked for more than a few hours, move the Master On/Off switch to the OFF position and follow the recommended storage procedures. See page 55.

OPERATION

Driving with Passengers

1. Complete the New Operator Driving Procedures outlined on pages 40-41.
2. Perform the pre-ride inspection. See page 39.
3. Make sure all occupants are properly seated and have their seatbelts secured.
4. Slow down. Always travel at a speed appropriate for your skills, your passenger's skills, and operating conditions. Avoid unexpected or aggressive maneuvers that could cause discomfort or injury to your passengers.
5. Vehicle handling may change with passengers on board. Allow more time and distance for braking.
6. Always follow all operating guidelines as outlined on safety labels and in this manual.

Battery Use

- New batteries should be given a full charge before use.
- New deep cycle batteries need to be cycled several times before reaching full capacity (50-125 cycles, depending on type). Capacity will be limited during this time. Always make sure that all electrical accessories are grounded directly to the battery (-) post. Never use the chassis or body as a ground connection.
- Always observe all battery safety warnings and safe handling procedures.
- Always keep battery terminals and connections free of corrosion.
- Always maintain a full charge on the batteries. For best battery life, batteries should not be discharged 80% of their rated capacity. Proper battery sizing will help avoid excessive discharge.
- Batteries should be kept clean and free of dirt and corrosion at all times.
- Vent caps should be correctly installed and tight during vehicle operation and battery charging.

OPERATION

Driving on Slippery Surfaces

⚠ WARNING

Skidding or sliding can cause loss of control or overturn (if tires regain traction unexpectedly). When operating on slippery surfaces such as ice or loose gravel, reduce speed and use extra caution to reduce the chance of skidding or sliding out of control. Do not operate on excessively slippery surfaces.

When driving on slippery surfaces such as wet trails, loose gravel, or ice, be alert for the possibility of skidding and sliding.

Follow these precautions when encountering slippery conditions:

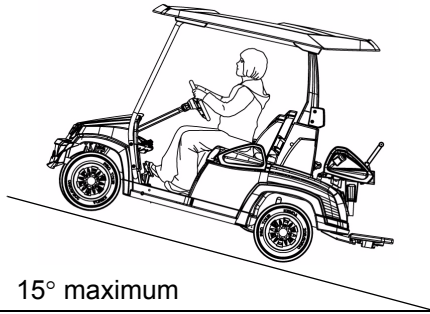
1. Slow down before entering slippery areas.
2. Maintain a high level of alertness, reading the trail and avoiding quick, sharp turns, which can cause skids.
3. Correct a skid by turning the steering wheel in the direction of the skid. *Never apply the brakes during a skid.*



Driving Uphill

Whenever traveling uphill, follow these precautions:

1. Always check the terrain carefully before ascending a hill.
2. Avoid steep hills (15° maximum).
3. Drive straight uphill.
4. Never climb hills with excessively slippery or loose surfaces.
5. Proceed at a steady rate of speed and accelerator position. Never apply full throttle suddenly.
6. Avoid unnecessary changes in speed or direction.
7. Never go over the crest of a hill at high speed. An obstacle, a sharp drop, or another vehicle or person could be on the other side of the hill.
8. If the vehicle stalls while climbing a hill, apply the brakes. Place the Direction Selector switch in reverse and slowly allow the vehicle to roll straight downhill while applying light brake pressure to control speed.

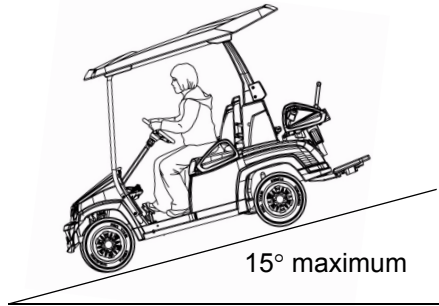


OPERATION

Driving Downhill

Whenever descending a hill, follow these precautions:

1. Avoid steep hills (15° maximum).
2. Always descend a hill with the direction selector switch in forward. Never descend a hill with the switch on neutral.



WARNING! Coasting down a hill could result in excessive speed, which could result in loss of control. Never travel down a hill at high speed.

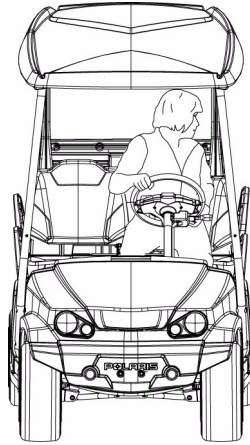
3. Use the brake pedal to control speed when descending a hill.
4. Always check the terrain carefully before descending a hill.

Avoid traveling down a hill at an angle, which would cause the vehicle to lean sharply to one side. Travel straight downhill.

Driving in Reverse

Follow these precautions when operating in reverse:

1. Always check for obstacles or people behind the vehicle.
2. Apply the pedal *lightly*. Never press quickly on the accelerator pedal.
3. Back slowly.
4. Apply the brakes *lightly* for stopping.
5. Avoid making sharp turns.



OPERATION

Driving on a Sidehill (Sidehilling)

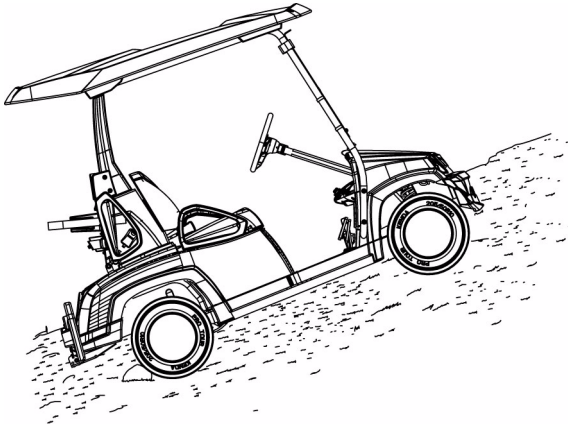
Driving on a sidehill is not recommended. Improper procedure could cause loss of control or overturn. Avoid crossing the side of any hill unless absolutely necessary.

If crossing a hill is *unavoidable*, follow these precautions:

1. Drive slowly and use extreme caution.
2. If the vehicle begins to overturn, or if it feels as if it may overturn, *immediately* turn downhill.
3. Avoid obstacles and changes in terrain that may lower or raise one side of the vehicle or cause the vehicle to slide.
4. If the vehicle begins to slide downhill, immediately turn downhill to stop the slide, or stop the vehicle and maneuver slowly and carefully until the vehicle can be driven straight downhill.



Parking on an Incline



A rolling vehicle can result in serious injury. Avoid parking on an incline. If parking on an incline is *unavoidable*, follow these precautions:

1. Set the Parking Brake.
2. Turn the Forward/Reverse switch to Neutral.
3. Block the rear wheels on the downhill side, or park the vehicle in a sidehill position instead

OPERATION

Hauling Cargo

⚠ WARNING

Overloading the vehicle or carrying or towing cargo improperly can alter vehicle handling and may cause loss of control or brake instability. Always follow these precautions when hauling cargo:

Never exceed the stated load capacity for this vehicle.

REDUCE SPEED AND ALLOW GREATER DISTANCES FOR BRAKING WHEN HAULING CARGO.

NEVER EXCEED THE MAXIMUM WEIGHT CAPACITY of the vehicle. When determining the weight you are adding to the vehicle, include the weight of the operator, passenger, accessories, loads in the rack or box. The combined weight of these items must not exceed the maximum weight capacity.

Always load the cargo area with the load as far forward and as low as possible.

When operating over rough or hilly terrain, reduce speed and cargo to maintain stable driving conditions.

Always operate the vehicle with extreme care when hauling loads. Slow down.

SECURE ALL LOADS BEFORE OPERATING. Unsecured loads can create unstable operating conditions, which could result in loss of control of the vehicle.

OPERATE ONLY WITH STABLE AND SAFELY ARRANGED LOADS. When handling off-centered loads that cannot be centered, securely fasten the load and operate with extra caution. Always attach the tow load to the hitch point designated for your vehicle.

HEAVY LOADS CAN CAUSE BRAKING AND CONTROL PROBLEMS. Use extreme caution when applying brakes with a loaded vehicle. Avoid terrain or situations that may require backing downhill.

USE EXTREME CAUTION when operating with loads that extend over the rack sides. Stability and maneuverability may be adversely affected, causing the vehicle to overturn.

DO NOT TRAVEL FASTER THAN THE RECOMMENDED SPEEDS. Vehicle should never exceed 10 mph (16 kph) while towing a load on a level grass surface. Vehicle speed should never exceed 5 mph (8 kph) when towing loads in rough terrain, while cornering, or while ascending or descending a hill.

Towing the Vehicle

Follow these procedures when towing the vehicle:

1. Place the direction selector switch in the NEUTRAL position.
2. Move the master ON/OFF switch to the OFF position.
3. Turn the key off.
4. Always follow these precautions when towing this vehicle:
 - Do not operate faster than 12 mph (19 km/h).
 - Do not tow on public streets.
 - Do not allow passengers in the towed vehicle.
 - Avoid abrupt starts and stops.
 - Avoid sharp turns and abrupt steering maneuvers.
 - Avoid towing on a hill.

OPERATION

Transporting the Vehicle on a Trailer

When transporting the vehicle for a long distance or on public streets, always use a trailer with an approved load rating of 1200 lbs. (544 kg) per vehicle being transported. Follow these procedures when trailering the vehicle:

1. Place the direction selector switch in the NEUTRAL position.
2. Engage the park brake.
3. Remove the key to prevent loss during transporting.
4. If the trailer is not enclosed, remove the windshield (if equipped).
5. Always tie the frame of the Polaris vehicle to the trailer securely with suitable straps or rope.
6. Always follow these precautions when trailering the vehicle:
 - Do not allow passengers on the trailer or in the trailered vehicle.
 - Reduce speed and drive with caution.
7. Remove all personal equipment and/or golf bags before towing vehicle on a trailer.

Washing the Vehicle

Keeping your Polaris vehicle clean will not only improve its appearance but it can also extend the life of various components.

NOTICE: High water pressure may damage components. Polaris recommends washing the vehicle by hand or with a garden hose, using mild soap.

Certain products, including insect repellents and chemicals, will damage plastic surfaces. Do not allow these types of products to contact the vehicle.

The best and safest way to clean your Polaris vehicle is with a garden hose and a pail of mild soap and water.

1. Use a professional-type washing cloth, cleaning the upper body first and the lower parts last.
2. Rinse with clean water frequently.
3. Dry surfaces with a chamois to prevent water spots.

Washing Tips

- Avoid the use of harsh cleaners, which can scratch the finish.
- Do not use a power washer to clean the vehicle.
- Do not use medium to heavy duty compounds on the finish.
- Always use clean cloths and pads for cleaning and polishing. Old or reused cloths and pads may contain dirt particles that will scratch the finish.
- Clean the windshield with a non-abrasive glass cleaning solution and a soft cloth.
- Clean seats with a vinyl cleaner and conditioner.

CLEANING

Washing the Vehicle

If a high pressure water system is used for cleaning (not recommended), exercise extreme caution. The water may damage components and could remove paint and labels. Avoid directing the water stream at the following items:

- Electrical components, wiring, switches and controls, such as turn signals and dash controls.
- Wheel bearings
- Brakes
- Cab and body panels
- Labels and decals

If warning and safety labels are damaged, contact your Polaris dealer for free replacement.

Grease all zerk fittings immediately after washing.

Polishing the Vehicle

Polaris recommends the use of common household aerosol furniture polish for polishing the finish on your Polaris vehicle. Follow the instructions on the container.

Polishing Tips

- Avoid the use of automotive products, some of which can scratch the finish of your vehicle.
- Always use clean cloths and pads for cleaning and polishing. Old or reused cloths and pads may contain dirt particles that will scratch the finish.

Storing the Vehicle

Any time the vehicle will be parked for more than a few hours, follow the recommended storage procedures:

1. Make any necessary repairs and clean the vehicle. See page 53.
2. Clean the batteries. See page 72.
3. Store the vehicle out of the sun in a cool, dry place.
4. Be sure the storage area is well ventilated.
5. Move the Master On/Off switch to the OFF position.
6. *Do not* engage the park brake.
7. Verify that tire pressure is at specification.
8. Block the wheels to prevent rolling.
9. Fully charge the batteries. Leave the charger connected to maintain a full charge during the storage period, or check battery voltage each month during storage and recharge as needed to maintain a full charge. See page 72. If the charger remains connected, check it monthly to verify proper operation.

Tip: Do not use plastic or coated materials. They do not allow enough ventilation to prevent condensation, and may promote corrosion and oxidation.

WARNING! Do not cover the vehicle while the charger is connected. Dangerous levels of Hydrogen gas could accumulate.

STORAGE

Removal from Storage

1. Inspect all battery connections.
2. Verify that batteries are fully charged.
3. Verify that tire pressure is at specification.
4. Perform the pre-ride inspection. See page 39.
5. Inspect and verify the tightness of the bolts, nuts and other fasteners.
6. Lubricate at the intervals outlined in the Periodic Maintenance Chart beginning on page 57.

Periodic Maintenance Chart

Careful periodic maintenance will help keep your vehicle in the safest, most reliable condition. Inspection, adjustment and lubrication of important components are explained in the periodic maintenance chart.

Inspect, clean, lubricate, adjust and replace parts as necessary. When inspection reveals the need for replacement parts, use genuine Polaris parts available from your Polaris dealer.

Record maintenance and service in the Maintenance Log beginning on page 82.

Service and adjustments are important for proper vehicle operation. If you're not familiar with safe service and adjustment procedures, have a qualified dealer perform these operations.

Maintenance intervals in the following chart are based upon average riding conditions and an average vehicle speed of approximately ten (10) miles per hour. Vehicles subjected to severe use must be inspected and serviced more frequently.

Severe Use Definition

- Frequent exposure to mud, water or sand
- Prolonged low speed, heavy load operation
- Cold weather operation

MAINTENANCE

Periodic Maintenance Chart

Maintenance Chart Key

► Perform these operations more often for vehicles subjected to severe use.

▮ Have an authorized Polaris dealer perform these services.

WARNING! Improperly performing the procedures marked with a ▮ could result in component failure and lead to serious injury or death. Have an authorized Polaris dealer perform these services.

Perform all services at whichever maintenance interval is reached first.

	Item	Maintenance Interval (whichever comes first)			Remarks
		Hours	Calendar	Miles (Km)	
▮	Steering	-	Pre-Ride	-	
	Tires	-	Pre-Ride	-	
	Batteries	-	Pre-Ride	-	
	Brake system	-	Pre-Ride	-	
	Wheels/fasteners	-	Pre-Ride	-	
	Frame fasteners	-	Pre-Ride	-	
	Headlamp/tail lamp	-	Daily	-	Check operation; apply dielectric grease if replacing
► ▮	Brake shoe wear	10 H	Monthly	100 (160)	Inspect periodically
	Batteries	25 H	Monthly	250 (400)	Check terminals; clean; test

MAINTENANCE

Periodic Maintenance Chart

Item		Maintenance Interval (whichever comes first)			Remarks
		Hours	Calendar	Miles (Km)	
■	Brake and Accelerator Pedals	30 H	3 M	300 (500)	Inspect; adjust; lubricate; at intervals or after submer-sion in water
▶	General lubrication	50 H	3 M	500 (800)	Lubricate all fittings, pivots, cables, etc.
■	Brake Cables	1st 10 h 30 h after	3 M	300 (500)	Inspect; adjust
■	Steering Kingpins	30 H	3 M	300 (500)	Inspect; lubricate; at intervals or after submer-sion in water
▶	Wiring	100 H	12 M	1000 (1600)	Inspect for wear, routing, security; apply dielectric grease to connectors subjected to water, mud, etc.
■	Front wheel bearings	100 H	12 M	1000 (1600)	Inspect; replace as needed
■	Toe adjustment	-			Inspect periodically; adjust when parts are replaced
▶	Headlight aim	-			Adjust as needed

▶ Perform these procedures more often for vehicles subjected to severe use.

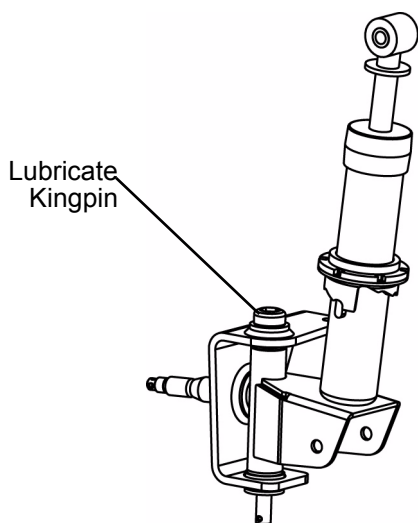
■ Have an authorized Polaris dealer perform these services.

MAINTENANCE

Lubrication Recommendations

Check and lubricate all components at the intervals outlined in the Periodic Maintenance Chart beginning on page 59, or more often under severe use, such as wet or dusty conditions. Items not listed in the chart should be lubricated at the general lubrication interval.

Item	Lube	Method
Steering Kingpins	Polaris Premium all Season Grease or grease conforming to NLGI No. 2	Locate fittings and grease.
Brake and Accelerator pedals	Polaris Premium all Season Grease or grease conforming to NLGI No. 2	Locate fittings and grease.



Transaxle

Transaxle Specification Chart

Use of other fluids may result in improper operation of components.

Transaxle	Lubricant	Capacity	Fill Plug Torque
Transaxle	Lubricant Gear-case Polaris PN 2873602	12 oz. (355 ml)	20-30 ft. lbs. (27-41 Nm)

MAINTENANCE

Speed Control System/Accelerator Pedal

WARNING

Failure to check or maintain proper operation of the accelerator pedal system can result in an accident and lead to serious injury or death if the accelerator pedal sticks during operation.

Never start or operate this vehicle if it has a sticking or improperly operating accelerator pedal.

Immediately contact your dealer for service if accelerator pedal problems arise.

Always check the pedal for free movement and return before and during operation.

- The vehicle will not operate if the accelerator pedal is depressed when the key is switched on. The vehicle will operate normally after the accelerator pedal is returned to rest.

Brakes

The rear brakes are mechanical drum type brakes activated by the brake pedal. See page 33.

Always check brake pedal travel before each use of the vehicle. When applied, the brake pedal should feel firm.

If you discover any irregularities in brake system operation, including excessive pedal travel, contact your dealer for proper diagnosis and repairs.

WARNING! Operating the vehicle with a spongy brake pedal can result in loss of braking, which could cause an accident resulting in severe injury or death. Never operate the vehicle with a spongy-feeling brake pedal.

Steering Wheel Inspection

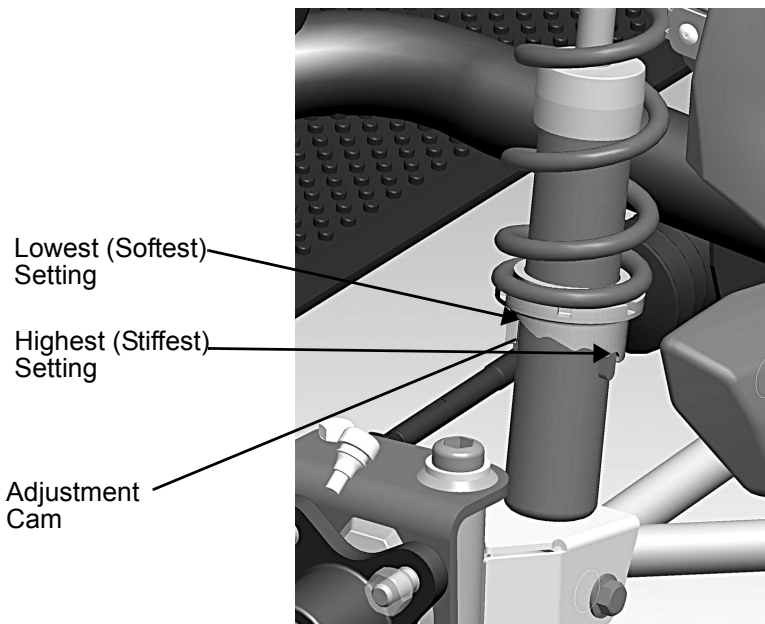
Check the steering wheel for smooth operation at the intervals outlined in the Periodic Maintenance Chart beginning on page 57.

1. Position the vehicle on level ground.
2. Lightly turn the steering wheel left and right.
3. If there is excessive freeplay or strange noises, or the steering feels rough or "catchy," have the steering system inspected by an authorized Polaris dealer.

MAINTENANCE

Suspension Settings

The front suspension shocks are preload adjustable, with three settings on each axle.



The suspensions are set on the middle setting at the factory. This setting is appropriate for nearly all riding conditions.

- Always apply the same adjustment setting to *both wheels*.

Tires

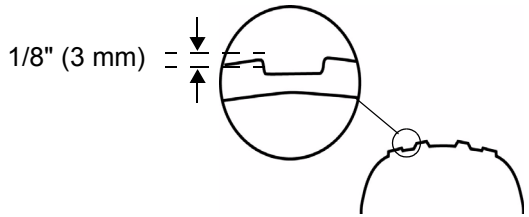
⚠ WARNING

Operating your vehicle with worn tires will increase the possibility of skidding, loss of control and an accident, which could result in serious injury or death. Always replace tires when the tread depth measures 1/8" (3 mm) or less.

Improper tire inflation or the use of non-standard size or type of tires may adversely affect vehicle handling, which could result in vehicle damage or personal injury. Always maintain proper tire pressure. When replacing tires, always use original equipment size and type.

Tire Tread Depth

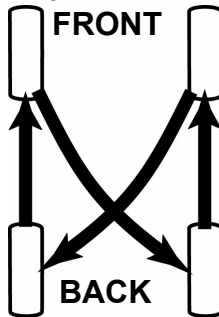
Always replace tires when tread depth is worn to 1/8" (3 mm) or less.



Tire Rotation

Tire rotation is recommended in intervals of 1,000 or 1,500 miles for this

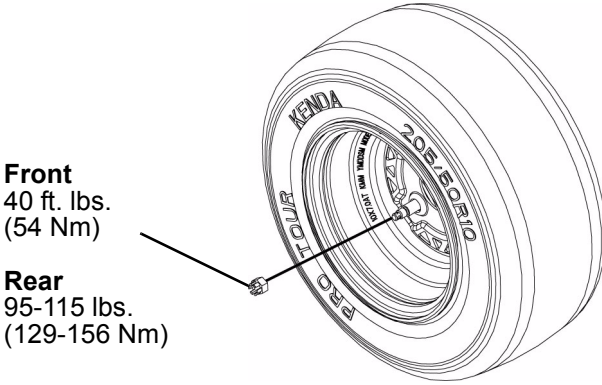
vehicle. Tires should be rotated in Rearward-Cross pattern as recommended by the Tire and Rim Association. This will help with uneven tire wear due to the weight distribution.



MAINTENANCE

Axle and Wheel Nut Torque Specifications

Inspect the following items occasionally for tightness, and if they've been loosened for maintenance service. *Do not lubricate the stud or the lug nut.*



Front
40 ft. lbs.
(54 Nm)

Rear
95-115 lbs.
(129-156 Nm)

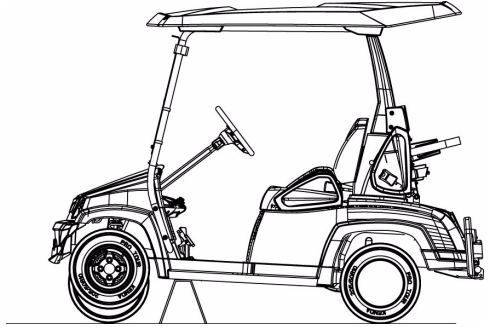
Fastener	Nut Torque
Wheel Lug Nut	90 ft. lbs. (122 Nm)
Front Hub Nut	40 ft. lbs. (54 Nm)
Rear Hub Nut	95-115 ft. lbs. (129-156 Nm)

Tires

WARNING! Improperly installed wheels can adversely affect tire wear and vehicle handling, which can result in serious injury or death. Always ensure that all nuts are torqued to specification. Do not service axle nuts that have a cotter pin installed. See your Polaris dealer.

Wheel Removal

1. Position the vehicle on a flat level surface.
2. Place the gear selector switch in neutral.
3. Apply the parking brake.
4. Loosen the wheel nuts slightly.
5. Elevate one side of the vehicle by placing a suitable stand under the frame. Do not ever elevate both rear wheels at the same time! Parking brake only locks rear wheels, and vehicle can roll.
6. Remove the wheel nuts. Remove the wheel.

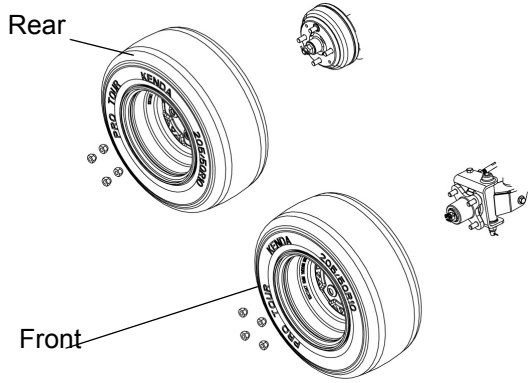


MAINTENANCE

Tires

Wheel Installation

1. Place the transmission in NEUTRAL.
2. Place the wheel in the correct position on the wheel hub. Be sure the valve stem is toward the outside and rotation arrows on the tire point toward forward rotation.
3. Attach the wheel nuts and finger tighten.
4. Carefully lower the vehicle to the ground.
5. Torque the wheel nuts to specification. See page 66.



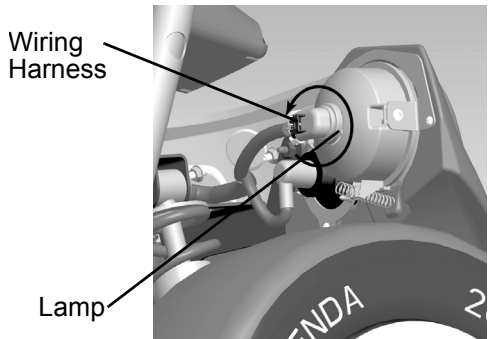
Lights

WARNING! Poor lighting while driving can result in severe injury or death. Headlight and tail light lenses become dirty during normal operation. Wash the headlights frequently to maintain lighting quality.

Headlight Lamp Replacement

Do not service the headlamps until they've cooled sufficiently.

1. Unplug the headlamp from the wiring harness. Be sure to pull on the connector, not on the wiring.
2. Turn the lamp counter-clockwise to remove it.
3. Install the new lamp. Make sure the tab on the lamp locates properly in the housing.
4. Reinstall the harness assembly into the headlight assembly.



MAINTENANCE

Lights

Brake Lights

When the brake pedal is depressed, the brake light comes on. Check the brake light before each ride.

1. Turn the ignition switch to the ON position.
2. Apply the brakes. If the light doesn't come on, check the wiring, the brake switch or the tail light assembly.

Batteries

⚠ WARNING

Battery posts, terminals and related components contain lead and lead compounds, chemicals known to cause cancer and reproductive harm. Always wash your hands after touching or handling the batteries.

⚠ WARNING

Charging a damaged battery can result in serious injury. Never attempt to charge a frozen or bulging battery. Discard the battery appropriately and install a new battery.

⚠ WARNING

Improperly connecting or disconnecting battery cables can result in an explosion and cause serious injury or death.

⚠ WARNING

Battery electrolyte is poisonous. It contains sulfuric acid. Serious burns can result from contact with skin, eyes or clothing.

Antidote:

External: Flush with water.

Internal: Drink large quantities of water or milk. Follow with milk of magnesia, beaten egg, or vegetable oil. Call physician immediately.

Eyes: Flush with water for 15 minutes and get prompt medical attention.

Batteries produce explosive gases. Keep sparks, flame, cigarettes, etc. away. Ventilate when charging or using in an enclosed space. Always shield eyes when working near batteries. KEEP OUT OF REACH OF CHILDREN.

MAINTENANCE

Batteries

Battery Cleaning

If cleaning is necessary, remove the corrosion with a stiff wire brush. Wash with a solution of one tablespoon baking soda and one cup water. Rinse well with tap water and dry off with clean shop towels. Coat the terminals with dielectric grease or petroleum jelly. Be careful not to allow cleaning solution or tap water into the batteries.

Battery Charging

When not in use, park the vehicle indoors and connect the battery charger. The vehicle's charging receptacle is located on the body below the driver's seat base.

WARNING! Failure to provide adequate ventilation while charging batteries can result in an explosion. Hydrogen gas is emitted during charging and will rise and accumulate at the ceiling. Always ensure a minimum of five (5) air changes per hour in the charging area. Never charge the batteries in an area subject to a flame or spark, including areas containing gas or propane water heaters and furnaces. Do not smoke in the charging area.

1. Position the vehicle indoors on a level surface. Make sure the charging area is well ventilated.
2. Open any door enclosures or zippers.
3. Inspect charger cords and receptacles for cracks, loose connections and frayed wiring. Replace any damaged components promptly.
4. Always connect the charger to the vehicle first, then plug the charger into a wall receptacle. Make sure each charger uses a dedicated circuit to prevent overloading.



Charging Receptacle

- Tip:** After the batteries have fully recharged, the battery charger will automatically cycle in and out of the trickle charge mode to maintain the charge.
5. When disconnecting the charger, always disconnect the charger from the wall receptacle first, then disconnect the charger from the vehicle.

NOTE: Refer to the manual supplied with the battery charger for further details.

Batteries

Battery Fluid

A poorly maintained battery will deteriorate rapidly. Check the battery fluid level often.

Add only distilled water. Tap water contains minerals that are harmful to a battery.

Batteries should always be watered after charging unless plates are exposed before charging. If exposed, plates should be covered by approximately 1/8" of water. Check level after charge. The level should be kept 1/4" below the bottom of the fill well in the cell cover.



Battery Cell Cover

SPECIFICATIONS

BREEZE NV	
Gross Vehicle Weight	1130 lbs. (514 kg)
Rear Seat Capacity	300 lbs. (136 kg)
Maximum Weight Capacity	700 lbs. (317.5 kg) (riders/cargo/accessories)
Rear Gearcase Oil Capacity	12 oz. (355 ml)
Overall Length/Width/Height	113 in. (287 cm) Platform Down - 102 in. (259 cm) Platform Up / 44.5 in (113 cm) / 76 in.(193 cm) /76 in.(193 cm)
Wheelbase	63.3 in. (161 cm)
Ground Clearance	4.6 in. (11.7 cm)
Motor	Electric
Front Suspension	Strut Type, Independent
Rear Suspension	Semi-Independent, Solid Axle
Driving System Type	Direct Drive Electric
Shift Type	F-N-R
Drive Ration Final	12.44:1
Tire Size Front/Rear	205/50/R10 / 205/50/R10
Tire Pressure-Front	27 p.s.i.
Tire Pressure-Rear	30 p.s.i.
Brakes	Rear Drum / Regen
Headlights	2 Hi/Low Beam 35 watts at 12 volts
Tailights	LED .6 watts at 12 volts
Brake lights	LED 1.8 watts at 12 volts
Auxiliary DC Outlet	12 volts

POLARIS PRODUCTS

Part Number	Description
Gearcase / Transmission Lubricants	
2873602	Premium AGL Synthetic Gearcase Lubricant (qt.)
2870465	Pump for Gallon Jug
Grease / Specialized Lubricants	
2871312	Grease Gun Kit, Premium All Season (3 oz.)
2871322	Premium All Season Grease (3 oz. cartridge)
2871423	Premium All Season Grease (14 oz. cartridge)
2871515	Premium U-Joint Lube (3 oz.)
2871551	Premium U-Joint Lube (14 oz.)
2871329	Dielectric Grease (Nyogel™)
Additives / Miscellaneous	
2871956	Loctite™ 565 Thread Sealant

TROUBLESHOOTING

Vehicle Doesn't Operate

Possible Cause	Solution
Low battery voltage	Recharge the battery overnight
Loose battery connections	Check all connections and tighten
Loose contactor connections	Check all connections and tighten
Loose electronic control box connections	Inspect, clean, reinstall connectors
Accelerator pedal depressed when turning the key switch on	Return accelerator pedal to rest position

WARRANTY

LIMITED WARRANTY

Polaris Sales Inc., 2100 Highway 55, Medina, MN 55340, gives a TWO YEAR LIMITED WARRANTY on all components of your Polaris vehicle against defects in material or workmanship. This warranty covers the parts and labor charges for repair or replacement of defective parts which are covered by this warranty. This warranty begins on the date of purchase. This warranty is transferable to another consumer during the warranty period through a Polaris dealer. The warranty coverage ends two years from the date of purchase.

REGISTRATION

At the time of sale, the Warranty Registration Form must be completed by your dealer and submitted to Polaris within ten days. Upon receipt of this registration, Polaris will record the registration for warranty. No verification of registration will be sent to the purchaser as the copy of the Warranty Registration Form will be the warranty entitlement. If you have not signed the original registration and received the customer copy, please contact your dealer immediately. **NO WARRANTY COVERAGE WILL BE ALLOWED UNLESS YOUR VEHICLE IS REGISTERED WITH POLARIS.**

Initial dealer preparation and set-up of your vehicle is very important in ensuring trouble-free operation. Purchasing a machine in the crate or without proper dealer set-up will void your warranty coverage.

WARRANTY COVERAGE AND EXCLUSIONS:

are not compatible with the vehicle. The exclusive remedy for breach of this warranty shall be, at Polaris' exclusive option, repair or replacement of any defective materials, or components or products. **THE REMEDIES SET FORTH IN THIS WARRANTY ARE THE ONLY REMEDIES AVAILABLE TO ANY PERSON FOR BREACH OF THIS WARRANTY. POLARIS SHALL HAVE NO LIABILITY TO ANY PERSON FOR INCIDENTAL, CONSEQUENTIAL OR SPECIAL DAMAGES OF ANY DESCRIPTION, WHETHER ARISING OUT OF EXPRESS OR IMPLIED WARRANTY OR ANY OTHER CONTRACT, NEGLIGENCE, OR OTHER TORT OR OTHERWISE.** Some states do not permit the exclusion or limitation of incidental or consequential damages or implied warranties, so the above limitations or exclusions may not apply to you if inconsistent with controlling state law.

WARRANTY

LIMITATIONS OF WARRANTIES AND REMEDIES

The Polaris limited warranty excludes any failures that are not caused by a defect in material or workmanship. This warranty does not cover accidental damage, normal wear and tear, abuse or improper handling. This warranty also does not cover any vehicle that has been altered structurally, modified, neglected, improperly maintained, used for racing, or used for purposes other than for which it was manufactured, or for any damages which occur during trailer transit or as a result of unauthorized service or the use of unauthorized parts. In addition, this warranty does not cover physical damage to paint or finish, stress cracks, tearing or puncturing of upholstery material, corrosion, or defects in parts, components or the vehicle due to fire, explosions or any other cause beyond Polaris' control.

The Polaris limited warranty excludes any battery failures that are not caused by a defect in material or workmanship. Warranty claims for battery replacements require specific testing as outlined by the Polaris Warranty Department and the battery manufacturer U.S. Battery prior to replacement. If the Polaris Warranty Department in conjunction with U.S. Battery determines that the failure of the battery is caused by a defect in material or workmanship, Polaris will assist with the processing of the warranty claim through U.S. Battery for a replacement battery. This warranty does not cover the time required to test and/or diagnose issues with the battery. Consequential damage caused by defective batteries are excluded from this warranty. Use of any charger not recommended by Polaris and/or modifications to the vehicle will void any stated or implied warranty on the battery. Battery warranty limitations include abuse or neglect such as improper fluid levels, loose wiring, or rusted or corroded hardware; Lack of proper maintenance; Damage caused by improper installation of the battery; Neglect, breakage, freezing, fire, explosion, wreckage, the addition of any chemical, operation of the battery in an overcharged condition, or the operation of the battery in an uncharged condition (below half-charge – 1.200 specific gravity); and a battery charged by systems other than those supplied or recommended by Polaris.

This warranty does not cover the use of unauthorized lubricants, chemicals, or fuels that are not compatible with the vehicle. The exclusive remedy for breach of this warranty shall be, at Polaris' exclusive option, repair or replacement of any defective materials, or components or products. **THE REMEDIES SET FORTH IN THIS WARRANTY ARE THE ONLY REMEDIES AVAILABLE TO ANY PERSON FOR BREACH OF THIS WARRANTY. POLARIS SHALL HAVE NO LIABILITY TO ANY PERSON FOR INCIDENTAL, CONSEQUENTIAL OR SPECIAL DAMAGES OF ANY DESCRIPTION, WHETHER ARISING OUT OF EXPRESS OR IMPLIED WARRANTY OR ANY OTHER CONTRACT, NEGLIGENCE, OR OTHER TORT OR OTHERWISE.** Some states do not permit the exclusion or limitation of incidental or consequential damages or implied warranties, so the above limitations or exclusions may not apply to you if inconsistent with controlling state law.

WARRANTY

LIMITATIONS OF WARRANTIES AND REMEDIES

U.S. Battery's liability shall be to replace the defective battery. Replacement shall mean furnishing a new battery or used battery with sufficient life to complete the warranty term, which is incidental or reasonably equivalent to the warranted product at no cost to the purchaser during the replacement period.

ALL IMPLIED WARRANTIES (INCLUDING BUT NOT LIMITED TO THE IMPLIED WARRANTIES OF MERCHANTABILITY AND FITNESS FOR A PARTICULAR PURPOSE) ARE LIMITED IN DURATION TO THE ABOVE TWO YEAR WARRANTY PERIOD. POLARIS FURTHER DISCLAIMS ALL EXPRESS WARRANTIES NOT STATED IN THIS WARRANTY. Some states do not allow limitations on how long an implied warranty lasts, so the above limitation may not apply to you if inconsistent with controlling state law.

HOW TO OBTAIN WARRANTY SERVICE

If your vehicle requires warranty service, you must take it to a Polaris Servicing Dealer. When requesting warranty service you must present your copy of the Warranty Registration form to the dealer. (THE COST OF TRANSPORTATION TO AND FROM THE DEALER IS YOUR RESPONSIBILITY). Polaris suggests that you use your original selling dealer; however, you may use any Polaris Servicing Dealer to perform warranty service.

Please work with your dealer to resolve any warranty issues. Should your dealer require any additional assistance they will contact the appropriate person at Polaris.

This warranty gives you specific legal rights, and you may also have other rights which vary from state to state.

If any of the above terms are void because of state or federal law, all other warranty terms will remain in effect.

Lubricants

1. Mixing oil brands or using non-recommended oil may cause engine damage. We recommend the use of Polaris gearcase oil.
2. Damage resulting from the use of non-recommended lubricants may not be covered by warranty.

WARRANTY

Exported Vehicles

EXCEPT WHERE SPECIFICALLY REQUIRED BY LAW, THERE IS NO WARRANTY OR SERVICE BULLETIN COVERAGE ON THIS VEHICLE IF IT IS SOLD OUTSIDE THE COUNTRY OF THE SELLING DEALER'S AUTHORIZED LOCATION.

This policy does not apply to vehicles that have received authorization for export from Polaris Industries. Dealers may not give authorization for export. You should consult an authorized dealer to determine this vehicle's warranty or service bulletin coverage if you have any questions.

This policy does not apply to vehicles registered to government officials or military personnel on assignment outside the country of the selling dealer's authorized location.

This policy does not apply to Safety Recalls.

How to Get Service

In the Country where your vehicle was purchased:

Warranty or Service Bulletin repairs must be done by an authorized Polaris dealer. If you move or are traveling within the country where your vehicle was purchased, Warranty or Service Bulletin repairs may be requested from any authorized Polaris dealer who sells the same line as your vehicle.

Outside the Country where your vehicle was purchased:

If you are traveling temporarily outside the country where your vehicle was purchased, you should take your vehicle to an authorized Polaris dealer. You must show the dealer photo identification from the country of the selling dealer's authorized location as proof of residence. Upon residence verification, the servicing dealer will be authorized to perform the warranty repair.

WARRANTY

If You Move:

If you move to another country, be sure to contact Polaris Customer Assistance and the customs department of the destination country before you move. Vehicles importation rules vary considerably from country to country. You may be required to present documentation of your move to Polaris Industries in order to continue your warranty coverage. You may also be required to obtain documentation from Polaris Industries in order to register your vehicle in your new country.

If Purchased From A Private Party:

If you purchase a Polaris product from a private citizen outside of the country in which the vehicle was originally purchased, all warranty coverage will be denied.

Notice

If your vehicle is registered outside of the country where it was purchased, and you have not followed the procedure set out above, your vehicle will no longer be eligible for warranty or service bulletin coverage of any kind. (Vehicles registered to Government officials or military personnel on assignment outside of the country where the vehicle was purchased will continue to be covered by the basic warranty.)

For questions call Polaris Customer Assistance:

United States: 1-888-704-5290

Canada: 1-204-925-710

INDEX

A

Accelerator Pedal	34
Adjustment Seat	35
Axle Nut Torque	66

B

Batteries	32, 71-73
Charging	72
Cleaning	72
Fluid	73
Safety Warnings	71
Battery Discharge Indicator (BDI)	29
Before Riding	39
Belts, Seat	37
Brake Lights	70
Brake Pedal	33
Brake System Break-in	39
Brake, Park	33
Brakes	63

C

Cargo	50
Charging Batteries	72
Chart, Periodic Maintenance	57-59
Component Locations	24-26

D

Driving Downhill	46
Driving in Reverse	47
Driving on a Sidehill	46
Driving on Slippery Surfaces	43
Driving Procedures	40-41
Driving Uphill	45
Driving with a Passenger	42

E

Equipment Modifications	7
-----------------------------------	---

F

Fluid, Battery	73
Freeplay, Steering Wheel	63

H

Hauling a Load	50
Hauling Cargo	50
Hazard Light	34
Headlight Lamp Replacement	69

I

Inspection, Axle Nuts	66
Inspection, Pre-Ride	39
Inspection, Steering Wheel	63
Inspection, Wheel Nuts	66
Installation, Wheels	68

K

Key Switch	27
Key, Periodic Maintenance Chart	58

L

Lamp Replacement, Headlight	69
Lights	69-70
Lights, Brake	70
Lubricant Part Numbers	75
Lubrication Recommendations	60

M

Maintenance Log	82
Maintenance, Periodic	57-59
Multi Function Indicator Light	27, 31
Multifunction Light	30

N

New Operator Driving Procedures	40-41
---	-------

O

Outlet, Power	27
-------------------------	----

INDEX

P

Park Brake	33
Parking on an Incline	49
Passenger Seat/Bag Retainer	38
Periodic Maintenance Chart	57-59
Polaris Products	75
Polishing the Vehicle	54
Power Outlet	27
Pre-Ride Inspection	39

R

Removal, Seat	36
Removal, Wheels	67
Removing the Vehicle from Storage	56
Replacement, Headlight Lamp	69
Reverse	47

S

Safety Labels	17-23
Safety Symbols	4
Safety Warnings	8-16
Accessories	10
Age Restrictions	8
Carrying a Passenger	11
Crossing Slopes	13
Descending Hills Improperly	12
Excessive Speeds	11
Failure to Inspect	9
Headlights	10
Improper Hill Climbing	13
Improper Tire Maintenance	14
Instruction	8
Jumps and Stunts	12
Multiple Passengers	11
Obstacles	15
Operating a Damaged Vehicle	15
Physical Control	12
Poor Visibility	10
Precautions During Maintenance	16
Public Roads	11

S

Safety Warnings	
Reverse	14
Seat Belts	10
Skidding or Sliding	15
Slippery Terrain	14
Stalling on a Hill	13
Turning Improperly	12
Unauthorized Use of the Vehicle	15
Unfamiliar Terrain	13
Using Alcohol or Drugs	9
Ventilation When Charging	9
Seat Adjustment	35
Seat Belts	37
Seat Cleaning	36
Seat Removal	36
Severe Use Definition	57
Signal Words	4
Steering Wheel Inspection	63
Storage, Removal	56
Storing the Vehicle	55
Suspension Settings	64
Switches	
Key Switches	27

T

Throttle System	62
Tire Tread Depth	65
Tires	65, 67
Torque, Axle Nuts	66
Torque, Wheel Nut	66
Trailer Transport	52
Transaxle	61
Transporting the Vehicle	52
Tread Depth, Tire	65
Turn Signals	34

V

Vehicle Identification Numbers	6
--------------------------------	---

W

Warning Symbols	4
Washing the Vehicle	53-54
Wheel Installation	68
Wheel Nut Torque	66
Wheel Removal	67